

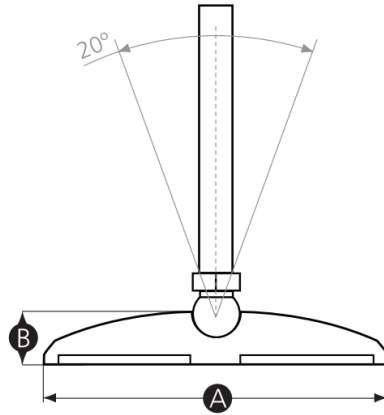
### G01LF Free-Standing Nylon Levelling Glide

#### Features

- Free standing glass reinforced nylon feet with zinc plated steel rod
- Many more base and rod size combinations available on request
- Extra grip and anti-vibration available with **G01ASP Rubber Anti Slip Plate** sold separately

#### Material

- Base: Glass reinforced nylon, black. Other colours available on request (MOQs apply)
- Rod: Zinc plated steel as standard. Stainless steel available on request (MOQs apply)



Part No.	A	B	Thread Size	Thread Length	Max Load	
G01LF-12769X	40	29	M8	25	350 kg	
G01LF-12379V				40		
G01LF-12746Q	50	29	M10	45	470 kg	
G01LF-12384X				70		
G01LF-12747X				90		
G01LF-12382U				40		
G01LF-12745U	60	29	M8	60	350 kg	
G01LF-12383Q				80		
G01LF-12748T				45		470 kg
G01LF-12749P				70		
G01LF-12750W	80	29	M12	125	750 kg	
G01LF-12751S				66		
G01LF-12752Z				80		
G01LF-12389Z				100		
G01LF-12753V	100	29	M16	125	900 kg	
G01LF-12390V				150		
G01LF-12754R				66		750 kg
G01LF-12394Q				100		
G01LF-12756U	120	31	M20	66	900 kg	
G01LF-12396T				100		
G01LF-12397P				150		
G01LF-12398W	100	29	M16	100	900 kg	
G01LF-10314U				150		
G01LF-12757Q	100	29	M16	66	900 kg	
G01LF-12760P				150		
G01LF-12765R	120	31	M20	150	900 kg	